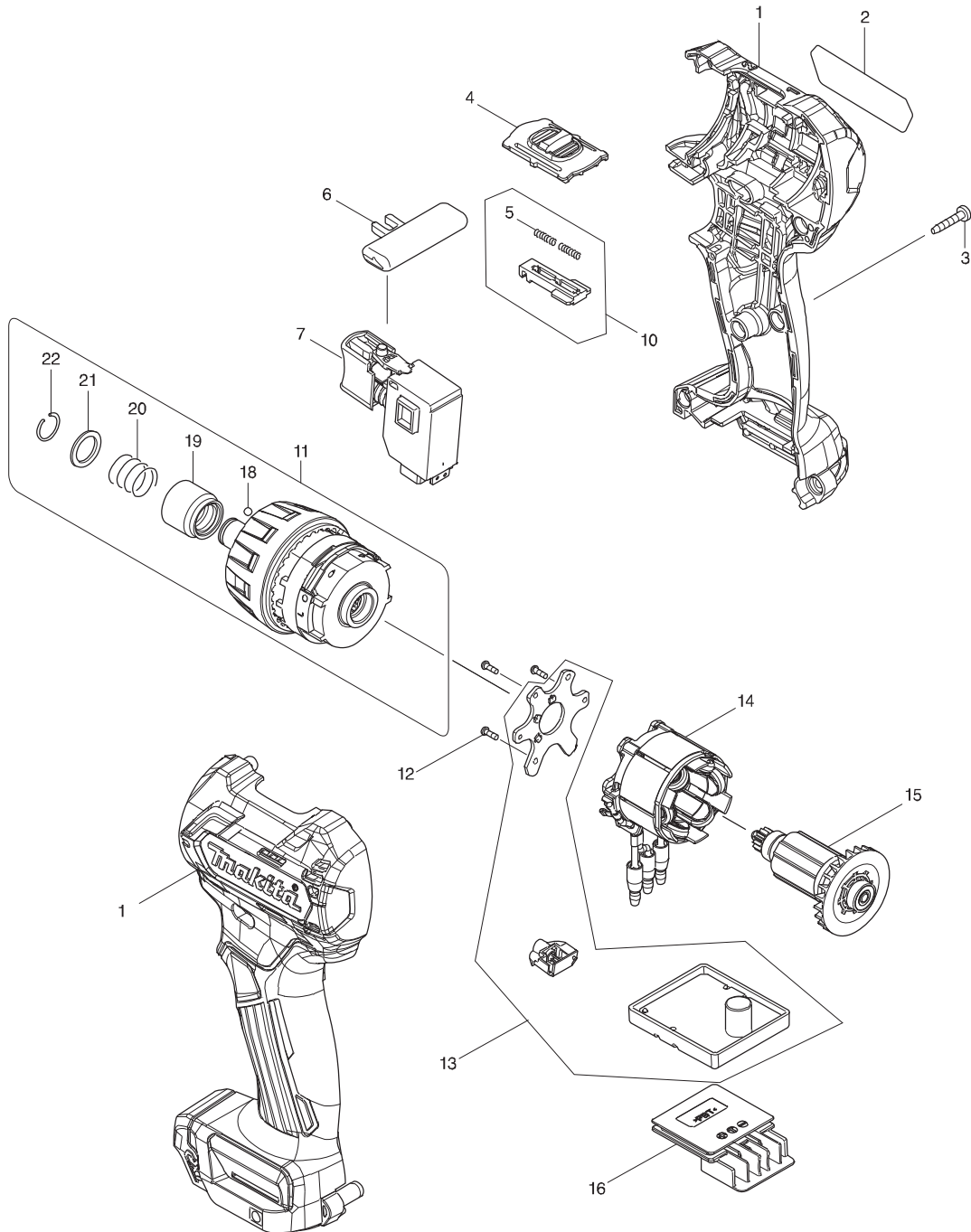




03 - 2016
DF032DSYE / DF032DZ
12V BL 1/4" Hex Driver Drill



Item No.	Type	Sub	Part No.	Description	Qty	Unit
1			183C34-7	HOUSING SET	1	SET
2			851U09-9	NAME PLATE F/DF032D	1	PC.
3			266429-2	TAPPING SCREW 3X16	8	PC.
4			456532-9	SPEED CHANGE LEVER	1	PC.
5			233025-1	COMPRESSION SPRING 2	2	PC.
6			419041-9	F/R CHANGE LEVER	1	PC.
7			650689-0	SWITCH C3JW-2B	1	PC.
10			123587-6	CHANGE LEVER ASS'Y	1	PC.
		INC.		Item No. 5		
11	1		123550-9	GEAR ASSEMBLY	1	PC.
		INC.		Item No. 18-22		
	2		123869-6	GEAR ASSEMBLY	1	PC.
		INC.		Item No. 18-22		
12			266490-9	TAPPING SCREW PT 2X6	3	PC.
13			620487-6	CONTROLLER	1	PC.
		INC.	620553-9	LED CIRCUIT (Added)	1	PC.
14			629178-6	STATOR	1	PC.
15	1		619393-0	ROTOR	1	PC.
	2		619410-6	ROTOR	1	PC.
16			644813-5	TERMINAL	1	PC.
18			216019-1	STEEL BALL 3	2	PC.
19			326677-6	BIT SLEEVE	1	PC.
20			233005-7	COMPRESSION SPRING 13	1	PC.
21			347004-4	BIT WASHER	1	PC.
22			231965-7	RING SPRING 10	1	PC.
100			251314-2	+ SCREW M4X12 F/HOOK (Item No. A02)	1	PC.
C01			878812-7	CARTON F/DF032DZ	1	PC.
E01			808F87-0	CAUTION LABEL	1	PC.
<u>ACCESSORIES</u>				- Visit www.makita.ca for more accessories information -		
A02			346909-5	HOOK	1	PC.
A03			784244-7	+ BIT 2-50	1	PC.
A04			456128-6	BATTERY COVER F/12V LI-ION SLIDE BATTERY	1	PC.
A05			DC10SB	RAPID CHARGER DC10SB	1	PC.
A06			----	12V MAX LI-ION BATTERY, SLIDE TYPE	2	PC.
A07			821661-1	PLASTIC CARRYING CASE	1	PC.
		INC.	417724-5	LATCH	2	PC.
A08			T-02272	HOLSTER	1	PC.
			168467-9	HOLSTER	1	PC.
A09			----	BIT HOLDER	1	PC.